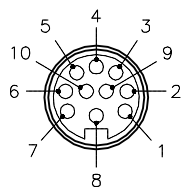


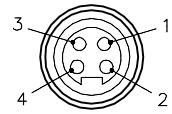
MALE END VIEW (P1)



- 1 = PORT 1-1
- 2 = PORT 1-2
- 3 = PORT 2-1
- 4 = PORT 2-2
- 5 = PORT 3-1
- 6 = PORT 3-2
- 7 = DRAIN
- 8 = GROUND
- 9 = PORT 4-1
- 10 = PORT 4-2



FEMALE END VIEW (J1-J4)

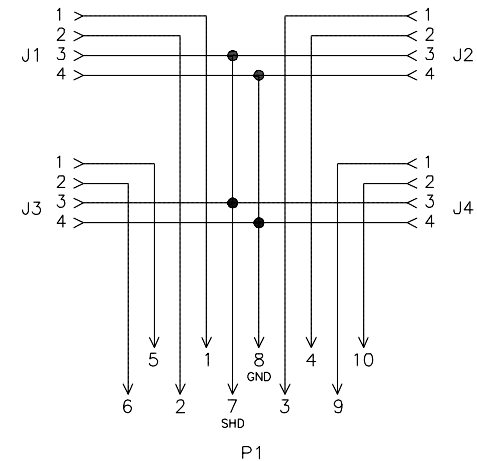
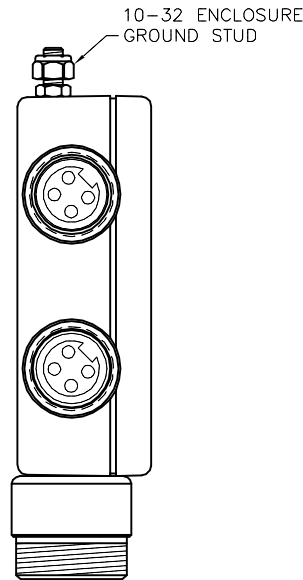
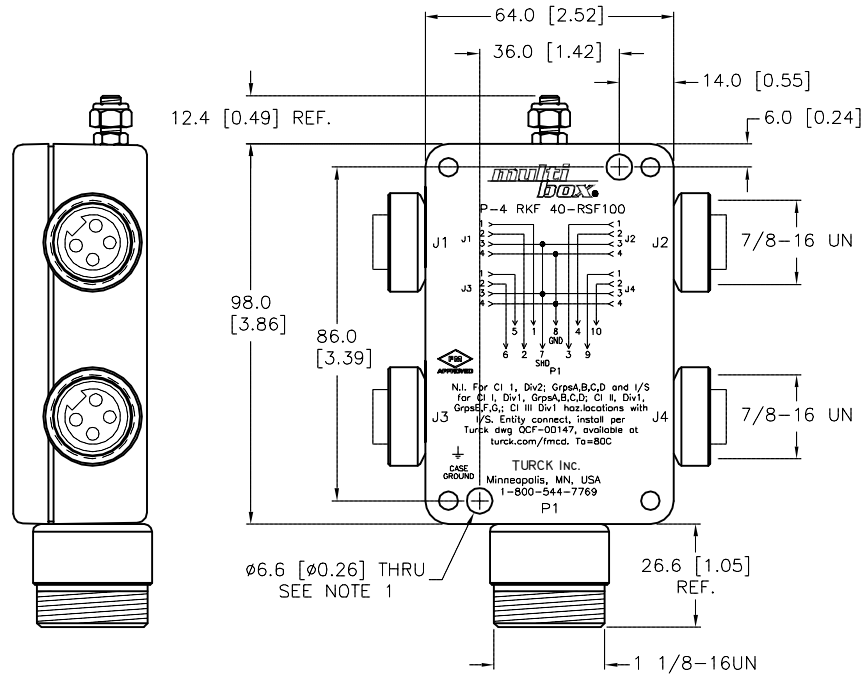


- 1 = V-
- 2 = V+
- 3 = SHD
- 4 = GND

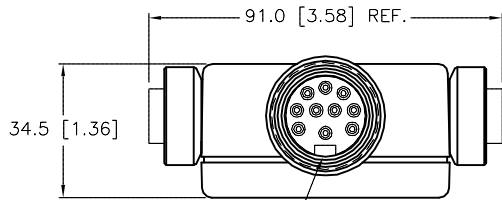


SPECIFICATIONS

HOUSING MATERIAL	DIE-CAST ALUMINUM ALLOY
HOUSING FINISH/COLOR	POWDER COAT/BLACK
RECEPTACLE HOUSINGS	NICKEL-PLATED BRASS
CONTACT CARRIERS/COLOR (J1-J4)	TPU/BLACK
CONTACT CARRIER/COLOR (P1)	TPU/YELLOW
CONTACTS	BRASS/GOLD
OPERATING VOLTAGE	300 V
OPERATING CURRENT	7.0 AMPS PER PORT
PROTECTION CLASS to DIN 40050	IP 67 - ONLY WHEN ALL RECEPTACLES ARE COVERED WITH PLUGS OR CONNECTED
OPERATING TEMPERATURE	-40°C TO +80°C (-40°F TO +176°F)



WIRING DIAGRAM



KEYWAY CAN BE AT ANY POSITON

NOTES:

- CLEARANCE HOLE FOR 1/4-20 MOUNTING SCREWS (2 NOT INCLUDED).

SOURCE DRAWING - FOR REFERENCE ONLY

RELATED DOCUMENTS 1. 2. 3. 4.	3RD ANGLE PROJECTION 	THIS DRAWING IS CONFIDENTIAL AND THE PROPERTY OF TURCK INC. USE OF THIS DOCUMENT WITHOUT WRITTEN PERMISSION IS PROHIBITED.		3000 CAMPUS DRIVE MINNEAPOLIS, MN 55441 1-800-544-7769 (763) 553-7300 (763) 553-0708 fax www.turck.us	
		DRFT	RDS	DATE	10/21/08
MATERIAL SEE SPECIFICATIONS	ALL DIMENSIONS DISPLAYED ON THIS DRAWING ARE FOR REFERENCE ONLY	APVD		SCALE	1=2.0
FINISH SEE SPECIFICATIONS		CONTACT TURCK FOR MORE INFORMATION	UNIT OF MEASUREMENT MILLIMETER [INCH]		IDENTIFICATION NO. U3-10798
DO NOT SCALE THIS DRAWING		FILE: U3-10798			SHEET 1 OF 1

